

1

2

3

4

5

6

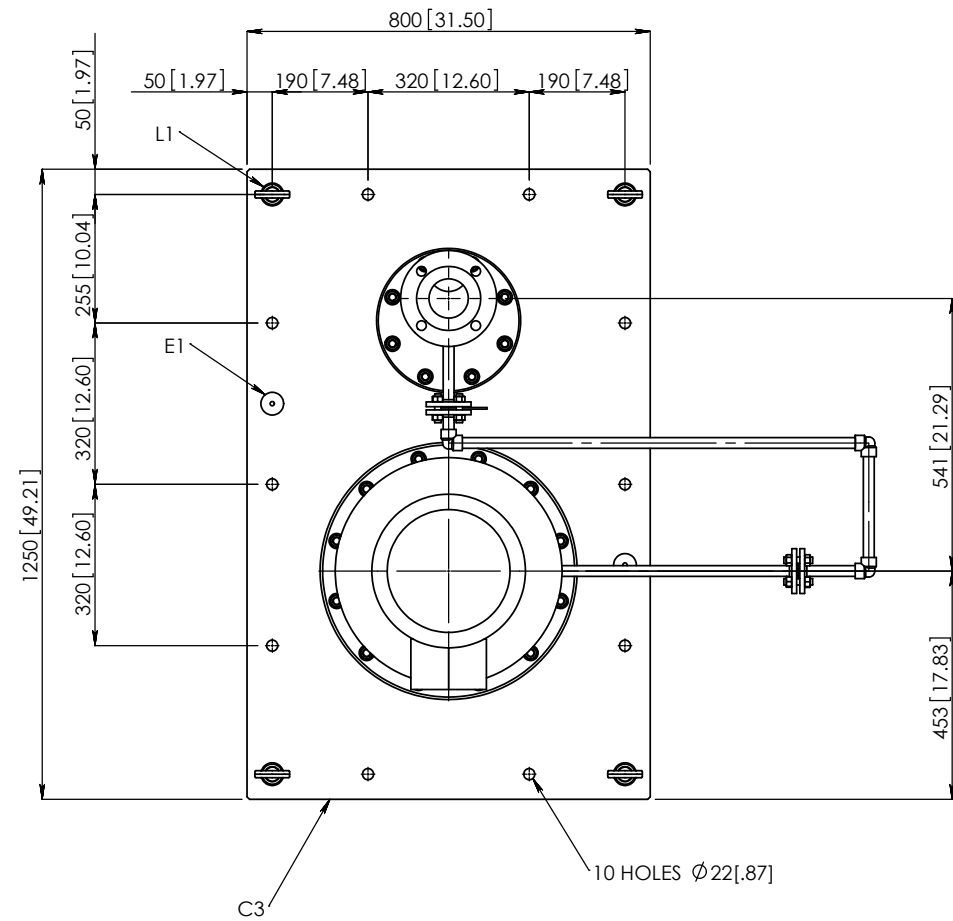
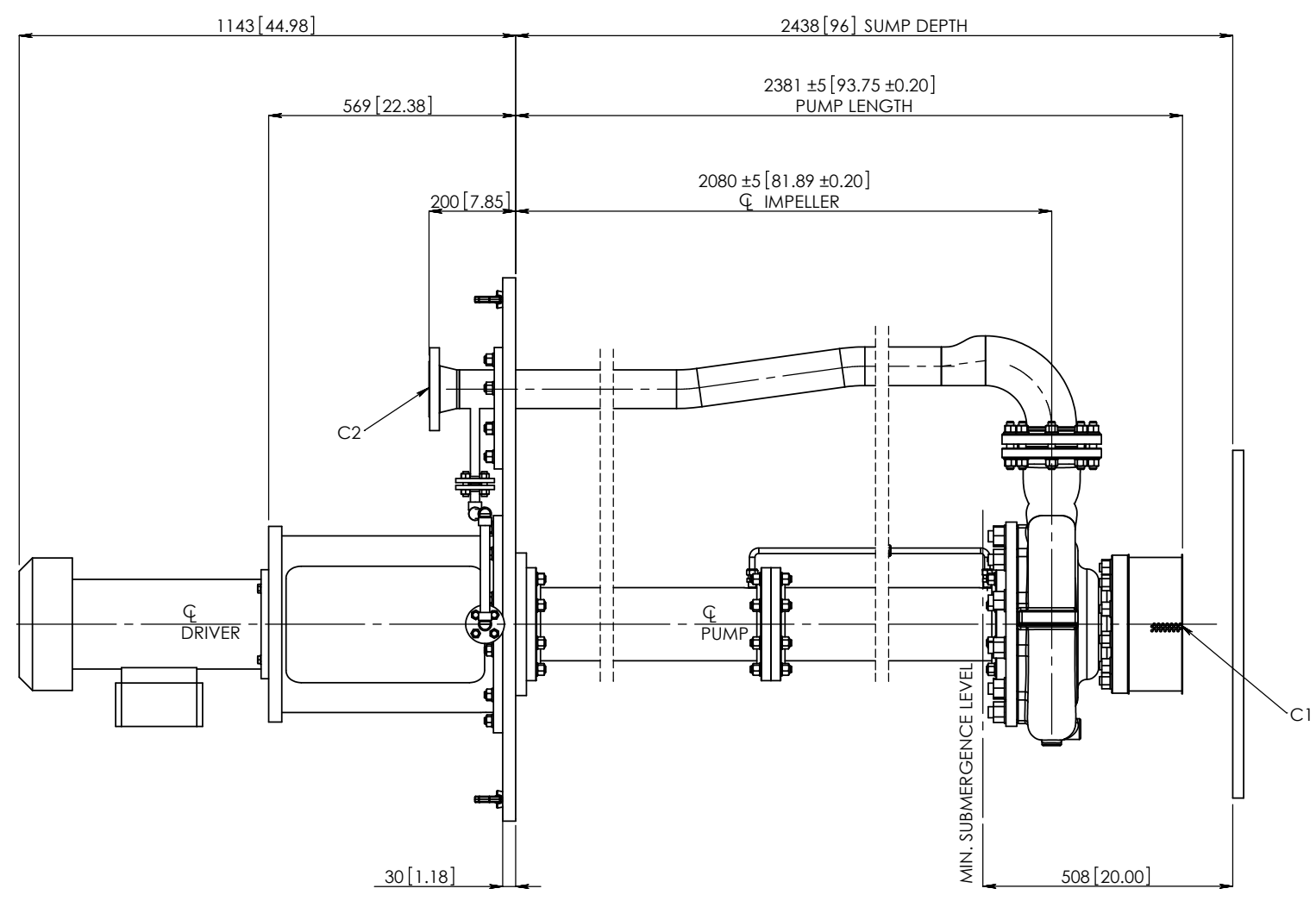
A

B

C

D

M014200-BBDM00007 S01 R3



| PUMP CONNECTIONS |                            |
|------------------|----------------------------|
| C1               | 6" WITH STRAINER.          |
| C2               | 3" ASME 150# R.F.          |
| C3               | 800x1250 RECTANGULAR PLATE |
| E1               | 2 OFF M10                  |
| L1               | 4 OFF M16 EYE BOLTS        |
| AA               |                            |
| BB               |                            |
| CC               |                            |
| DD               |                            |
| EE               |                            |
| FF               |                            |
| GG               |                            |

| PUMP SPECIFICATIONS           |               |
|-------------------------------|---------------|
| SIZE: 3x6x14A                 | TYPE: CUP-VS4 |
| No. STAGES: 1                 | SPEED: 1180   |
| ROTATION: CCW (SEEN FROM TOP) |               |
| MECHANICAL SEAL: JOHN CRANE   |               |
| TYPE & CODE: 48SC             |               |
| COUPLING: THOMAS              |               |
| TYPE: FLEXIBLE DISC SPACER    |               |
| GUARDS: BRASS                 |               |

| DRIVER SPECIFICATIONS           |             |
|---------------------------------|-------------|
| MAKE: BALDOR (RELIANCE)         |             |
| FRAME SIZE: 254LP               |             |
| HP/kw: 7.5/5.60                 | SPEED: 1180 |
| SUPPLY (V/Ph/Hz): 460/3/60      |             |
| DIMENSIONAL PRINT: TBA          |             |
| SUPPLIED BY: CLYDEUNION DB LTD. |             |

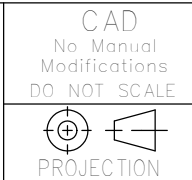
| WEIGHTS (APPROX.) |          |
|-------------------|----------|
| PUMP:             | 560 KGS  |
| SUPPORT PLATE:    | 605 KGS  |
| DRIVER:           | 170 KGS  |
| COUPLING:         | 10 KGS   |
| TOTAL:-           | 1345 KGS |

| CUSTOMER DATA                                |  |
|--|--|
| USER: GAINSVILLE RENEWABLE ENERGY CENTER LLC |  |
| PURCHASER: FAGEN Inc.                        |  |
| SITE/CONTRACT: GAINSVILLE, FLORIDA           |  |
| PURCHASE ORD.: 554747                        |  |
| ITEM No: BBD-PP-1004 A/B                     |  |
| LIQUID PUMPED: WATER                         |  |
| SERVICE: BOILER BLOWDOWN SUMP PUMPS          |  |
| PUMP SERIAL No: R450043/4                    |  |

GENERAL NOTES:-  
 NUMBER OF LINE BEARINGS : 2  
 MAXIMUM BEARING SPACING: 1050 [41.34]  
 STRAINER SIZE : 4mm[.16]  
 SHAFT DIAMETER : 50mm

Tolerance unless otherwise noted  
 Pump Assembly Dimensions ±0.125"  
 Piping Dimensions ±0.38"

|   |                              |
|---|------------------------------|
| 3 | UPDATED TO CUSTOMER COMMENTS |
|   | VK, 28JUN2012                |
| 2 | TPL CHANGED TO 96" FROM 120" |
|   | VK, 28MAR2012                |



The designs and or information shown on this drawing are proprietary and the recipient agrees not to reproduce or copy it in whole or in part, not to reveal its content to others and not to make any use of it that is or may be injurious to CLYDEUNION

© CLYDEUNION  
 Ref:- NA Scale:-1:15

|  |                |              |      |
|--|----------------|--------------|------|
| TITLE: GENERAL ARRANGEMENT 3x6x14A CUP-VS4 |                |              |      |
| Drawn: VK                                  | Date: 22FEB 12 | DRAWING No.  | REV. |
| Checked: NC                                | Date: 22FEB 12 | GAB-450043/4 | 3    |
| Approved:                                  | Date:          |              |      |

EXCEPTIONS NOTED | Release for manufacture